

# Order picking truck 1.0 ton

## BT optio *H-series* OME100H



# Order picking truck

Truck specifications					OME100H , Duplex mast	OME100H , Triplex mast
Identification	1.1	Manufacturer			BT	BT
	1.2	Model			OME100H , Duplex mast	OME100H , Triplex mast
	1.3	Drive			Electric	Electric
	1.4	Operator type			Stand on	Stand on
	1.5	Load capacity/rated load	Q	kg	1000	1000
	1.6	Load centre	c	mm	600	600
	1.8	Load distance, centre of load axle to fork face	x	mm	203 <sup>1)</sup>	228 <sup>1)</sup>
	1.9	Wheelbase	y	mm	1477	1503
	Weight	2.1	Service weight including battery		kg	3068
2.2		Axle load, with load, drive/fork wheel		kg	1160/2909	1581/3255
2.3		Axle load, without load, drive/fork wheel		kg	1729/1339	2157/1678
Wheels	3.1	Drive/fork wheel			Vulkollan	Vulkollan
	3.2	Wheel size, front		mm	Ø 230 x 110	Ø 230 x 110
	3.3	Wheel size, rear		mm	Ø 350 x 140	Ø 350 x 140
	3.5	Wheels, number front/rear (x=driven wheels)			2/1 (*)	2/1 (*)
	3.6	Track width, front	b <sub>10</sub>	mm	910	1110
	Dimensions	4.2	Height, mast lowered	h <sub>1</sub>	mm	3152
4.4		Lift movement	h <sub>3</sub>	mm	4689	6987
		Lift height	h <sub>23</sub>	mm	5639	7937
4.5		Height, mast extended	h <sub>4</sub>	mm	7100	9400
4.7		Height of overhead guard (cab)	h <sub>6</sub>	mm	2402	2402
4.8		Stand height	h <sub>7</sub>	mm	305	305
4.11		Initial lift movement	h <sub>9</sub>	mm	870	870
4.14		Stand height, elevated	h <sub>12</sub>	mm	5000	7300
4.14.1		Picking height (h <sub>12</sub> + 1600 mm)	h <sub>28</sub>	mm	6600	8900
4.19		Overall length	l <sub>1</sub>	mm	2692	2768
4.20		Length to face of forks	l <sub>2</sub>	mm	1892 <sup>1)</sup>	1969 <sup>1)</sup>
4.21		Overall width <sup>2)</sup>	b <sub>1</sub> /b <sub>2</sub>	mm	1050/1000	1250/1200
4.22		Fork dimensions	s/e/l	mm	62/115/800	62/115/800
4.25		Width over forks	b <sub>5</sub>	mm	560/685/776	560/685/776
4.31		Ground clearance, with load, below mast	m <sub>1</sub>	mm	52	52
4.32		Ground clearance, centre of wheelbase	m <sub>2</sub>	mm	52	52
4.33		Aisle width for pallets 1000 x 1200 crossways	A <sub>st</sub>	mm	1400	1500
4.34		Aisle width for pallets 800 x 1200 lengthways	A <sub>st</sub>	mm	1250	1250
4.35		Turning radius	W <sub>a</sub>	mm	1689	1741
4.41		Transfer aisle width, 800 x 1200 lengthways	Au	mm	3148	3224
4.44	Clear width driver compartment entrance		mm	555	555	
Performance data	5.1	Travel speed, with/without load		km/h	12,0/12,0	12,0/12,0
	5.2	Lift speed, with/without load		m/s	0,35/0,40	0,35/0,40
	5.3	Lowering speed, with/without load		m/s	0,45/0,45	0,45/0,45
	5.9	Acceleration time (0-10 meters) with/without load		s	6,0/5,5	6,0/5,5
	5.10	Service brake			Electric	Electric
Electric motor	6.1	Drive motor rating S2 60 min		kW	7,5	7,5
	6.2	Lift motor rating S3 15%		kW	11	11
	6.4	Battery voltage, nominal capacity K <sub>5</sub>		V/Ah	48/465	48/620
	6.5	Battery weight		kg	725-810	925-1035
	6.6	Energy consumption acc to VDI cycle <sup>3)</sup>		kWh/h		
	Other	8.1	Type of drive control			Variable AC
8.4		Sound level at the driver's ear according to EN 12 053		dB(A)	60	60
8.6		Steering			Electric	Electric

1) With adjustable forks add 38 mm to x and l<sub>2</sub>.

2) b<sub>1</sub>=chassis width, b<sub>2</sub>=cab width

3) Contact your supplier for information

All data are based on table configuration. Other configurations may give other values. Truck performance and dimensions are nominal and subject to tolerances. BT products and specifications are subject to change without notice.

# Mast dimensions

# BT optio

Chassis width, $b_1$ (mm)			Battery		Duplex Telescopic										Triplex Telescopic					
OME100H	1050	465 Ah	X	X	X	X	—	—	—	—	—	—	—	—	X	X	—	—	—	—
	1250	465/620Ah	—	—	—	—	X/X	X/X	X/X	X/X	X/X	—/X	—/X	X/X	X/X	X/X	X/X	—/X	—/X	
	Platform height	$h_{12}$	mm	3550	3950	4500	5000	5500	6000	6500	7000	7500	8000	8500	5500	6100	7300	8200	9500	10500
	Height, mast lowered	$h_1$	mm	2427	2627	2902	3152	3402	3652	3902	4152	4402	4652	4902	2657	2857	3367	3867	4300	4933
	Lift movement	$h_3$	mm	3239	3639	4189	4689	5189	5689	6189	6689	7189	7689	8189	5187	5787	6987	7887	9187	10187
	Height, mast extended	$h_4$	mm	5650	6050	6600	7100	7600	8100	8600	9100	9600	10100	10600	7600	8200	9400	10300	11600	12600
	Picking height	$h_{28}$	mm	5150	5550	6100	6600	7100	7600	8100	8600	9100	9600	10100	7100	7700	8900	9800	11100	12100
	Total lift height	$h_{23}$	mm	4189	4589	5139	5639	6139	6639	7139	7639	8139	8639	9139	6137	6737	7937	8837	10137	11137

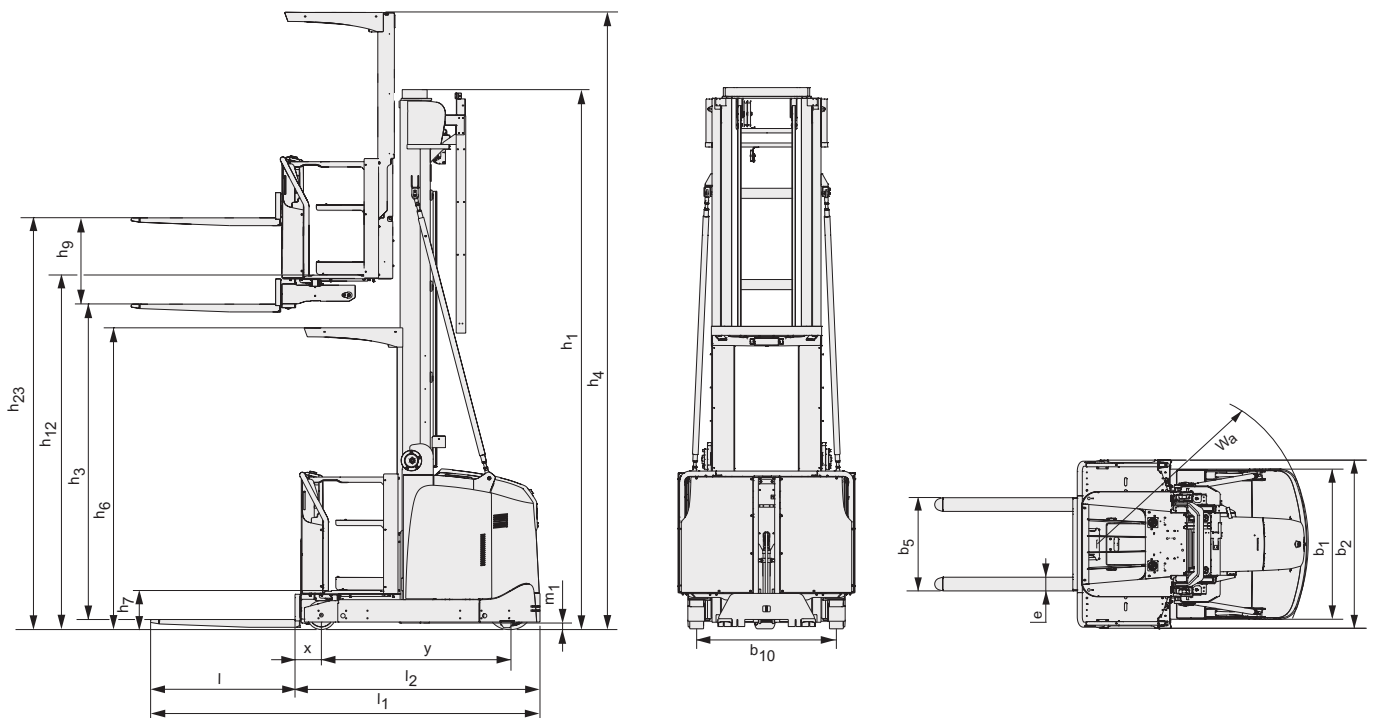
X = Available combination  
 — = Non available combination

# Working aisle widths

OME100H	Standard values			Rail guided trucks				Wire guided trucks			
				EUR pallet		CHEP pallet		EUR pallet		CHEP pallet	
	Handling type			LS	SS	LS	SS	LS	SS	LS	SS
Pallet length		mm	800	1200	1000	1200	800	1200	1000	1200	
Pallet width		mm	1200	800	1200	1000	1200	800	1200	1000	
Chassis width	$b_1$	mm	1050/1250	1050/1250	1050/1250	1050/1250	1050/1250	1050/1250	1050/1250	1050/1250	
Distance between pallets in aisle	$A_{st}$	mm	1400/1450	1250/1450	1400/1450	1250/1450	1500/1500	1250/1450	1500/1500	1300/1450	
Transfer aisle, VDI Theoretical	$A_{st3}$	mm	2858/2931	3148/3224	3033/3108	3178/3254	2858/2931	3148/3224	3033/3108	3178/3254	
Transfer aisle, Practical <sup>1)</sup>	$A_{st3}$	mm	3358/3431	3648/3724	3533/3608	3678/3754	3858/3931	4148/4224	4033/4108	4178/4254	

LS = Long side pallet handling  
 SS = Short side pallet handling

- 1) Transfer aisle requirement including recommended operation safety space  
 Chassis width, 1050 mm equipped with Duplex mast  
 Chassis width, 1250 mm equipped with Triplex mast



## Truck features:

- High picking heights
- Powerful drive & lift motor (AC)
- Regenerative power when braking and lowering the cab
- Spacious cab with storage compartments
- Height adjustable control panel with intuitive controls
- Information display showing all vital information
- E-bars for mounting of peripheral equipment
- Wire guidance or mechanical (rail) guidance in the aisle
- BT Optipace system for top performance in all handling situations
- Programmable performance
- Extended service intervals

