

Stand-on lowlifter truck 2.0 ton

BT levio

S-series

LSE200



Stand-on lowlifter truck

Specifications					LSE200
Identification	1.1	Manufacturer			Toyota
	1.2	Model			LSE200
	1.3	Drive			Electric
	1.4	Operator type			Stand on
	1.5	Load capacity/rated load	Q	kg	2000
	1.6	Load centre	c	mm	600
	1.8	Load distance, front axle to front face, fork raised/lowered	x	mm	958 ¹⁾
	1.9	Wheelbase	y	mm	1558 ¹⁾
Weight	2.1	Service weight without battery		kg	610
	2.2	Axle load, with load, drive/castor/fork wheel		kg	1210/1750
	2.3	Axle load, without load, drive/castor/fork wheel		kg	770/225
Wheels	3.1	Drive/castor/fork wheel			Vulkollan
	3.2	Wheel size, front		mm	Ø 85
	3.3	Wheel size, rear		mm	Ø 250
Dimensions	4.4	Lift	h_3	mm	150
		Lift height	h_{23}	mm	235
	4.8	Instep height	h_7	mm	254
	4.15	Height, fork lowered	h_{13}	mm	85
	4.19	Overall length	l_1	mm	2024 ¹⁾ *
	4.20	Length to face of forks	l_2	mm	874
	4.21	Overall width	b_1	mm	770
	4.22	Fork dimensions	e/l	mm	180/1150*
	4.25	Width over forks	b_5	mm	450/520/550/570/685
	4.32	Ground clearance, centre of wheelbase	m_1	mm	100
	4.34	Aisle width for pallets 800 x 1200 lengthways	A_{st}	mm	2274 ¹⁾
	4.35	Turning radius	W_a	mm	1855 ¹⁾
Perf.	5.1	Travel speed, with/without load		km/h	8/10,5
	5.2	Lift speed, with/without load		m/s	0,05/0,07
	5.3	Lowering speed, with/without load		m/s	0,054/0,054
	5.8	Max. gradeability, with/without load ²⁾		%	8/18
	5.10	Service brake			2 stage electromagnetic
Electric motor	6.1	Drive motor rating S2 60 min		kW	2,2
	6.2	Lift motor rating at S3 5%		kW	2,2
	6.4	Battery voltage/nominal capacity K_5		V/Ah	310-620
	6.5	Battery weight		kg	249-476
Others	8.1	Type of drive control			Transistor, stepless
	8.6	Steering		°	180

1) l = 1150

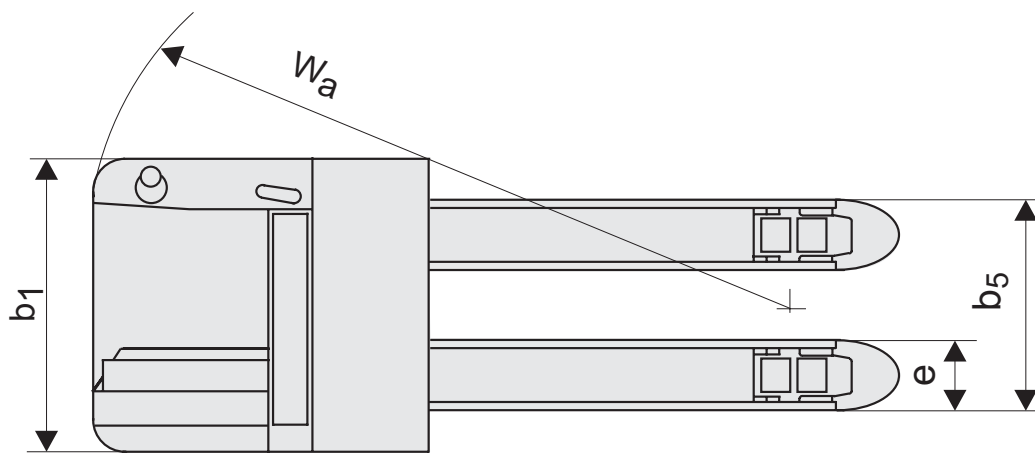
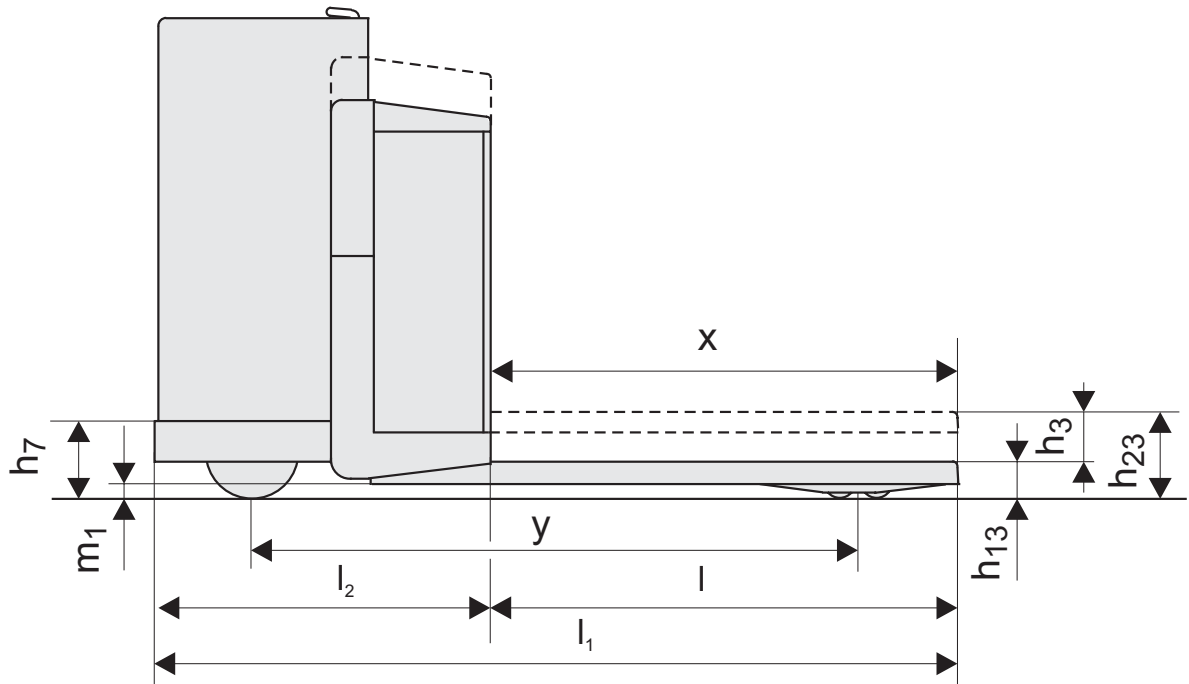
2) Measured according to company standard

* Other dimensions available

All data are based on table configuration. Other configurations may give other values.

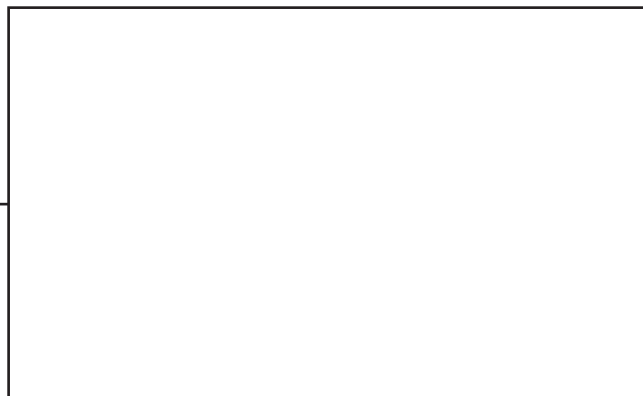
Truck performance and dimensions are nominal and subject to tolerances.

Toyota Material Handling Manufacturing Sweden AB products and specifications are subject to change without notice.



Truck features:

- Controls 45 degrees
- Controls 90 degrees
- Electronic steering
- 180° steering
- Driver detection system
- Adjustable backrest
- Easy access for maintenance
- Sideways battery change



TP-Technical Publications, Sweden — 746750-040, version 1, 1104

TOYOTA

MATERIAL HANDLING